

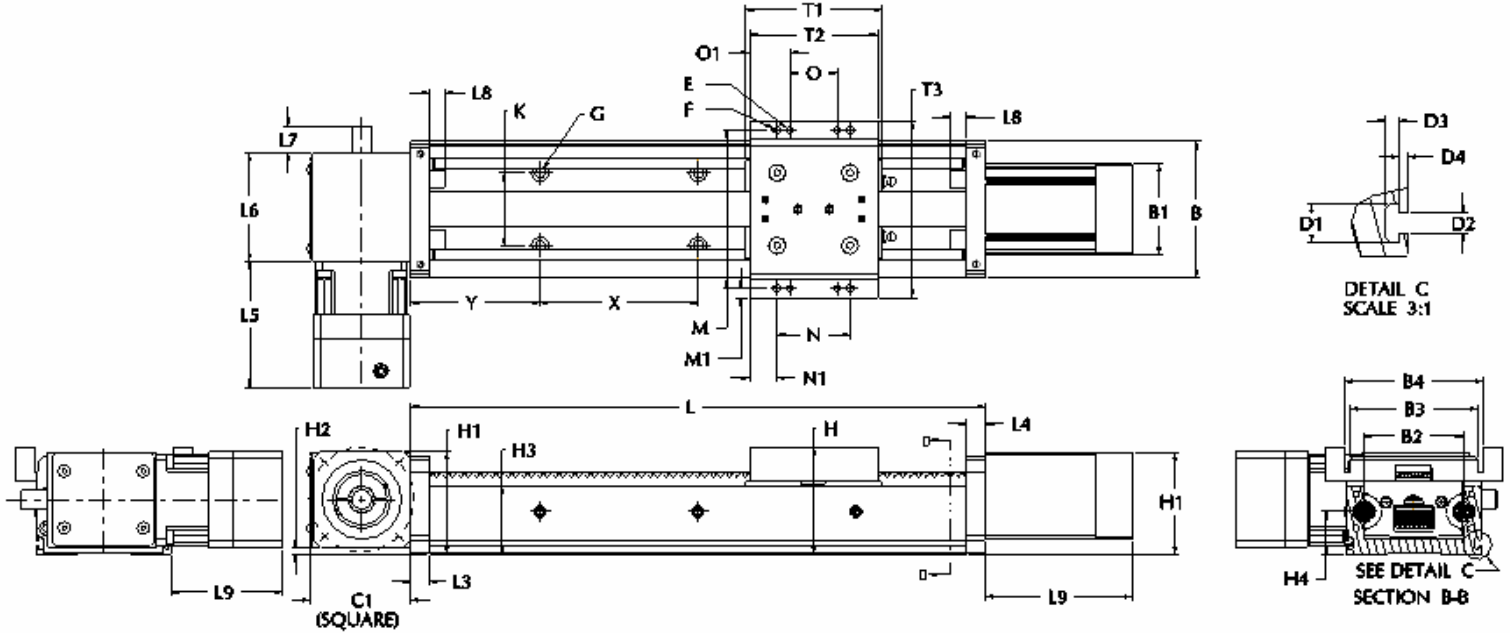
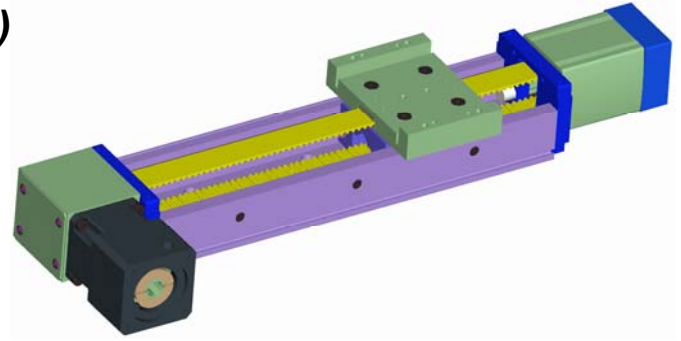
# Thomson Microstage<sup>\*</sup> MS46 (Belt Driven)

## Features:

- Compact lightweight channel extrusion
- Pre-aligned and pre-assembled for immediate installation and use
- Designed for light to medium loads

## Components:

- 4 segmented-technology Super Ball Bushing bearings
- 1 double LinearRace<sup>®</sup> rail assembly
- 1 integral belt actuated assembly
- 1 Aircraft-grade aluminum base extrusion
- 1 Integral NemaTrue<sup>®</sup> Planetary precision gearhead



Maximum stroke length is determined by subtracting the carriage length (T1), the end block lengths (L3 & L4), and 2x the bumper lengths (L8) from the total system length (L).

MicroStage MS46 Belt Driven Linear Motion Systems																	(dimensions in mm)	
Part Number	B	B1	B2	B3	B4	C1 square (*)	D1	D2	D3	D4	E	F	G	H	H1	H2 (*)	H3	
MS46XXX	86	58	63	81	88	61 (guideline A) 70 (guideline B) 80 (guideline C) 90 (guideline D)	8	4.2	2.8	2	M5 x 0.8 thru	M6 x 1.0 thru	M6 screw	68	65	4.2 (guideline A) -.3 (guideline B) -5.3 (guideline C) -10.3 (guideline D)	43	

MicroStage MS46 Belt Driven Linear Motion Systems																			(dimensions in mm)		
Part Number	H4	K	L3	L4	L5 (*)	L6	L7	L8	L9	M	M1	N	N1	O	O1	T1	T2	T3	X	Y	Load Capacity
MS46XXX	27	46	12	12	80 (guideline A) 80 (guideline B) 80 (guideline C) 86 (guideline D)	68.4	17.1	10	93	100	6	46	18	30	26	86	81	112	100	82	330 N

MicroStage MS46 (Belt driven) standard lengths		
Part Number	Length (L) Standard (mm)	Stroke (mm)
MS46XXX	364	234
MS46XXX	464	334
MS46XXX	564	434
MS46XXX	664	534
MS46XXX	764	634
MS46XXX	964	834
MS46XXX	1364	1234
MS46XXX	1764	1634

(\*) See motor mounting guidelines

MicroStage MS46 (Belt Driven) gearbox ratios				
Part Number	Gearbox ratio	Gearbox part number	gearbox frame size	Motor mounting
MS46XXX	3:1	64217648	nema 23	see guidelines
MS46XXX	5:1	64217907	nema 23	see guidelines
MS46XXX	10:1	64217596	nema 23	see guidelines